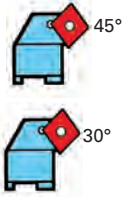





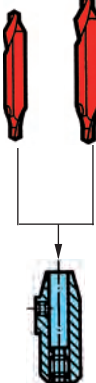




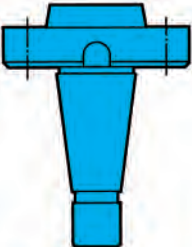
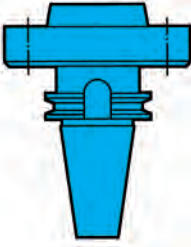
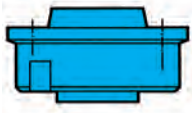


# System Summary GE 100

Tool holder, radially adjustable				Clamping sleeves to hold centre drills
for internal operations	for external operations	for turning operations	for facing operations	
	 <p>Angle adjustable 15° - 60°</p>  <p>45°</p>  <p>30°</p>	 <p>axial adjustable</p>		

Tool heads		
		
		
with 2 clamping holders	with 3 clamping holders	with 4 clamping holders

Adaptors		Adaptor
with ISO taper to DIN 2080	with ISO taper to DIN 69 871	for UMA Ø 45/88,88*
		
* other systems on request		